

ENGLISH

FEATURES

- 99 addresses for MCP900/*Y
- Alarm LED (MCP900/*CB, MCP900/*Y and MCP900/*CS only)
- Standby status (MCP900/*CB only)
- Key Reset
- Two wire connection for easy installation
- Flush or surface mounting
- Complies with EN54 part 11

☞ An asterisk, next to the product version, indicates the following choice of body colours:

R=Red, **W**=White, **B**=Blue, **G**=Green, **Y**=Yellow

DESCRIPTION

The **MCP900** Manual Call Point (see Fig. 1) has been specially designed to be used with:

- Conventional Fire Alarm Systems
- Analogue Addressable Loops compatible with System Sensor communication protocols
- Extinguishment Systems

This stylish easy-to-install Manual Call Point is ideal for internal environments that require manual activation and inhibition of Fire Alarms and Fire Extinguishment Systems.

The **MCP900** can be used for Door and Escalator control, etc., and is available in a choice of colours. It can be mounted in a custom surface mounting back box (separate accessory item MCP900/*B) or flush mounted to the majority of outlet box formats available in Europe.

The **MCP900** Manual Call Point is activated by pushing the centre of the Operating Face (black arrows indicate the exact point), and reset by means of the special key.

The MCP900/*CB versions provide local LED indication of Standby status (Red LED Blinking).

The MCP900/*CB, MCP900/*Y and MCP900/*CS versions provide local LED indication of Alarm status (Red LED Fixed).

TECHNICAL SPECIFICATIONS	MCP900/*S	MCP900/*CS	MCP900/*CB	MCP900/*Y
Operating Voltage	–	15 to 32 Vdc	15 to 32 Vdc	15 to 32 Vdc
Standby Current	–	–	50 µA max.	200 µA max.
Alarm Current	–	30 mA	30 mA	5.1 mA
Dimensions (H x W x D mm) Front Face with MCP900/*B back box	92 x 92 x 48			
Weight (Front Face with MCP900/*B back box)	125 gm			

WIRING INSTRUCTIONS

The Module can be connected to the Conventional Zone or Loop circuit by means of a standard two wire connection (see Fig. 4, 5 and 6).


 **The MCP900/*Y version does not require an EOL Resistor.**

It is possible to change the Alarm Resistance (RA) of the MCP900/*CS versions, from 270Ω to 470Ω , by cutting the jumper (see Fig. 3 and 5)

INSTALLATION GUIDELINES

Work carefully through the following steps (refer to Fig. 1):

1. Pull the connection wires through the wire entry of the outlet box or MCP900/*B back box.
2. Complete the Loop circuit or Conventional zone connections on the terminal board.
3. Select the required Address (for MCP900/*Y version only).
4. Remove the Front Face then stick the Lexan to the Operating Face.
5. Reassemble the parts.

 **If the MCP900 is to be flush mounted to an Italian standard 503 outlet box, it will be necessary to fit an MCP900/*F flange (accessory item).**

PRODUCT VERSIONS AND ACCESSORY ITEMS	
Code	Description
MCP900/*S	Manual Call Point with Free Voltage Changeover Contact
MCP900/*CS	Conventional Manual Call Point with Alarm LED and choice serie resistor
MCP900/*CB	Conventional Manual Call Point with Status LED (for Alarm and Standby signalling)
MCP900/*Y	Addressable Manual Call Point (with System Sensor module)
<i>Accessory items</i>	
MCP900/LI	Manual Call Point Lexan in Italian (10 piece kit)
MCP900/LS	Manual Call Point Lexan in Spanish (10 piece kit)
MCP900/LN	Manual Call Point Universal Lexan (10 piece kit)
MCP900/*F	Manual Call Point Flange (10 piece kit)
MCP900/*K	Manual Call Point key (10 piece kit)
MCP900/DN	Universal Security protection (10 piece kit)

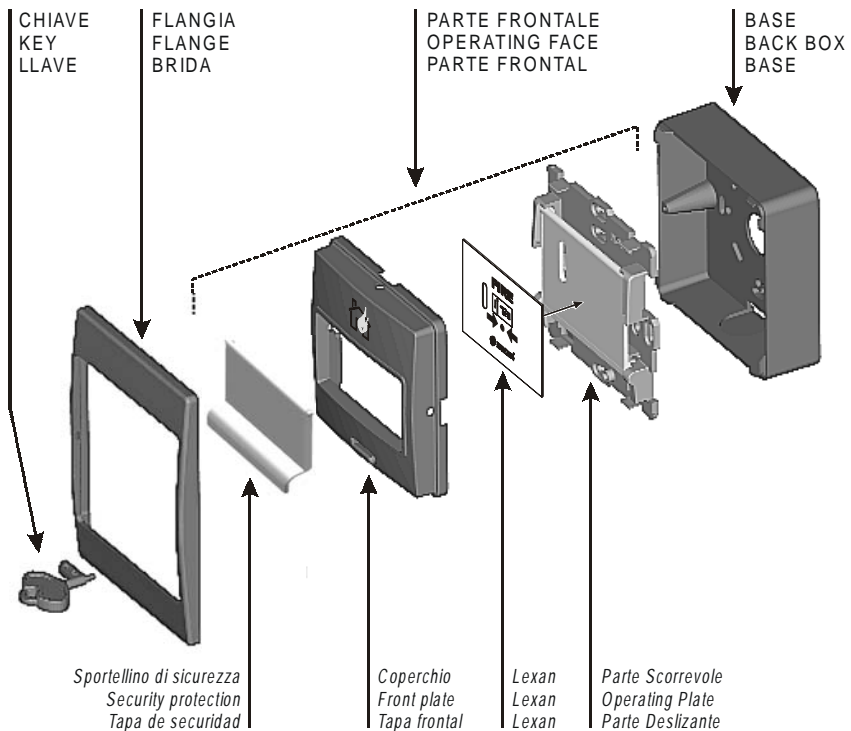


Fig. 1 - Vista componenti - Exploded View - Vista de los componentes

Lo sportellino di sicurezza (opzionale) va inserito dopo aver smontato il coperchio

Remove the frontplate before attaching the Security protection (optional)

La tapa de seguridad (opcional) se debe fijar después de haber quitado la placa frontal

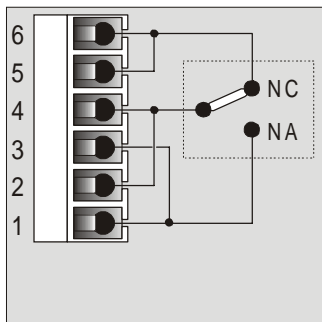


Fig. 2 - Descrizione morsettiera MCP900/*S
MCP900/*S Terminal board
Descripción de la bornera MCP900/*S

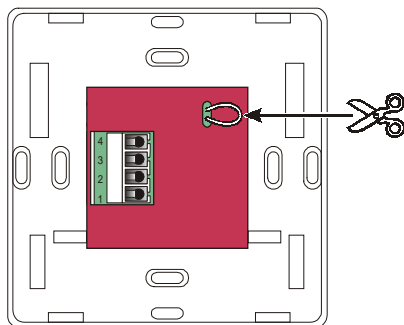


Fig. 3 - Se ponticello tagliato: RA=470 Ω
If jumper cut : RA=470 Ω
Si puente cortado: RA=470 Ω

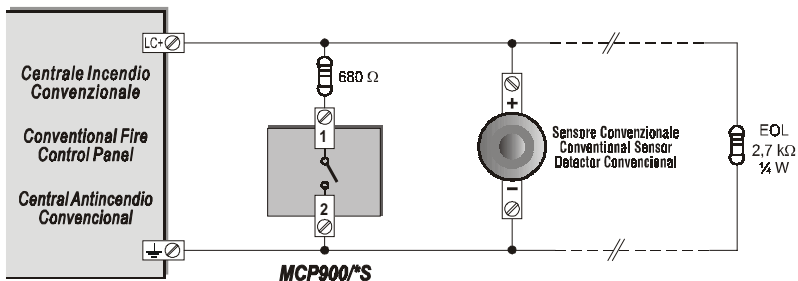


Fig. 4 - Esempio di collegamento del modello MCP900/*S
 MCP900/*S Wiring Diagram
 Ejemplo de conexión del modelo MCP900/*S

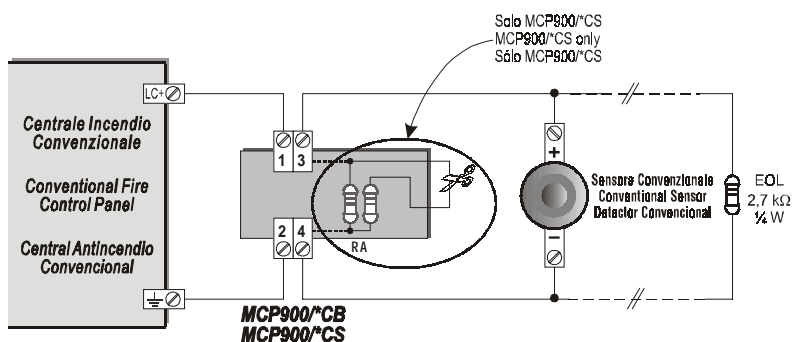


Fig. 5 - Esempio di collegamento dei modelli MCP900/*CB e MCP900/*CS
 MCP900/*CB, MCP900/*CS Wiring Diagram
 Ejemplo de conexión de los modelos MCP900/*CB y MCP900/*CS

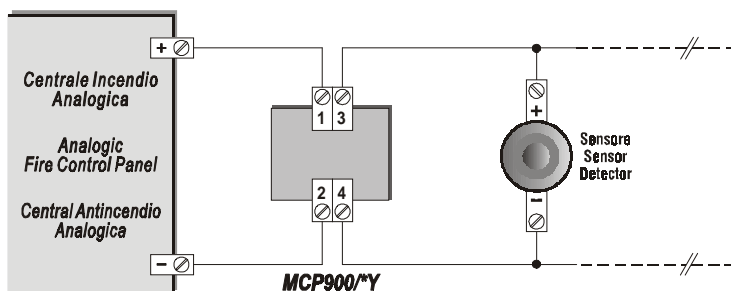


Fig. 6 - Esempio di collegamento del modello MCP900/*Y
 MCP900/*Y Wiring Diagram
 Ejemplo de conexión del modelo MCP900/*Y



BENTEL SECURITY

® **BENTEL SECURITY S.r.l.**
 Via Gabbiano 22, Z.I S. Scolastica - 64013 CORROPOLI (TE) - ITALY
 Tel.: +39 0861 839060 - Fax: +39 0861 839065
 E-mail: info@bentelsecurity.com - http://www.bentelsecurity.com